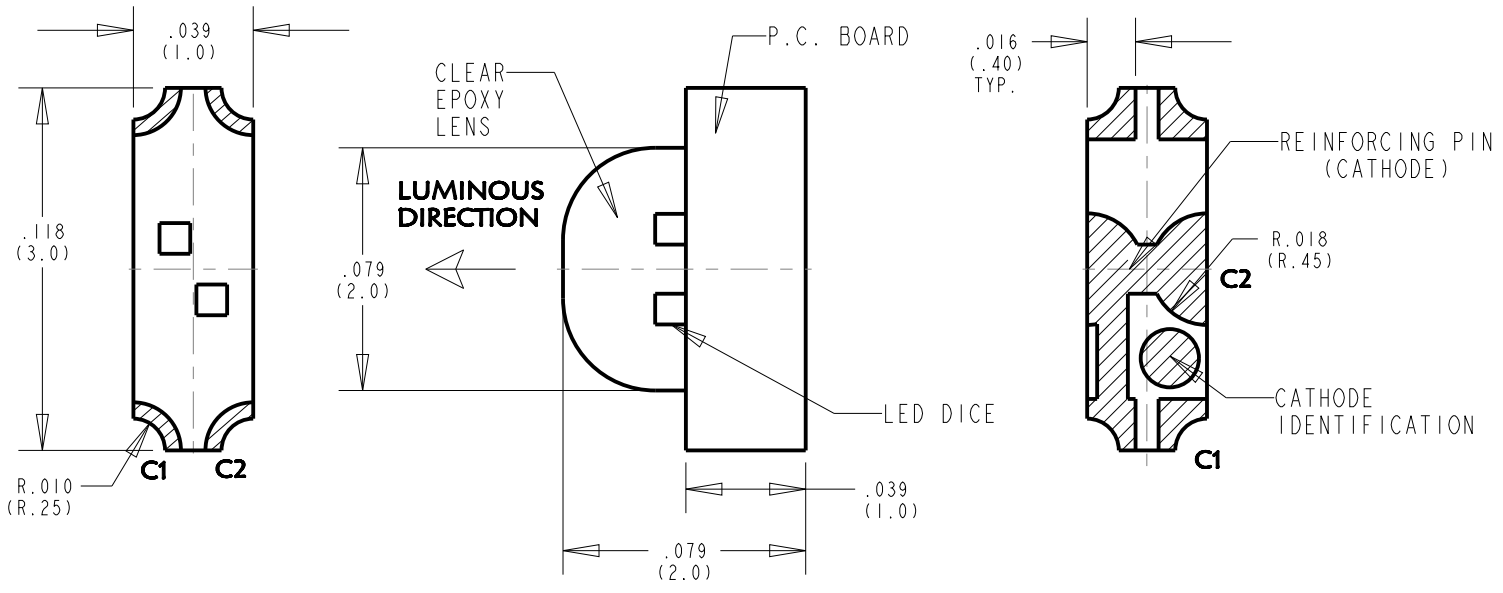
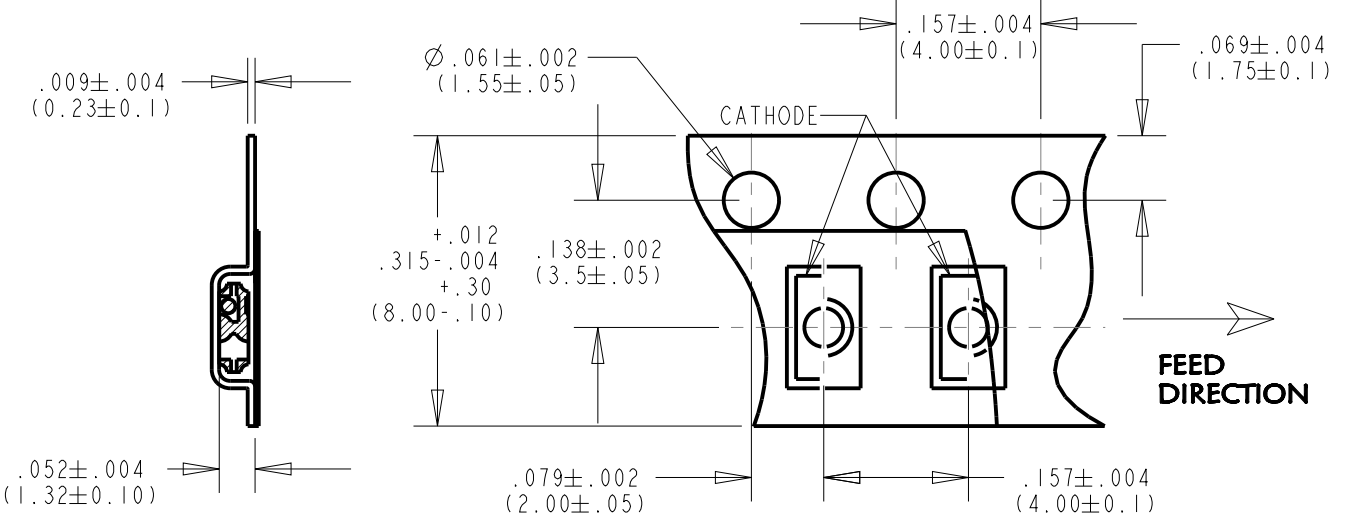
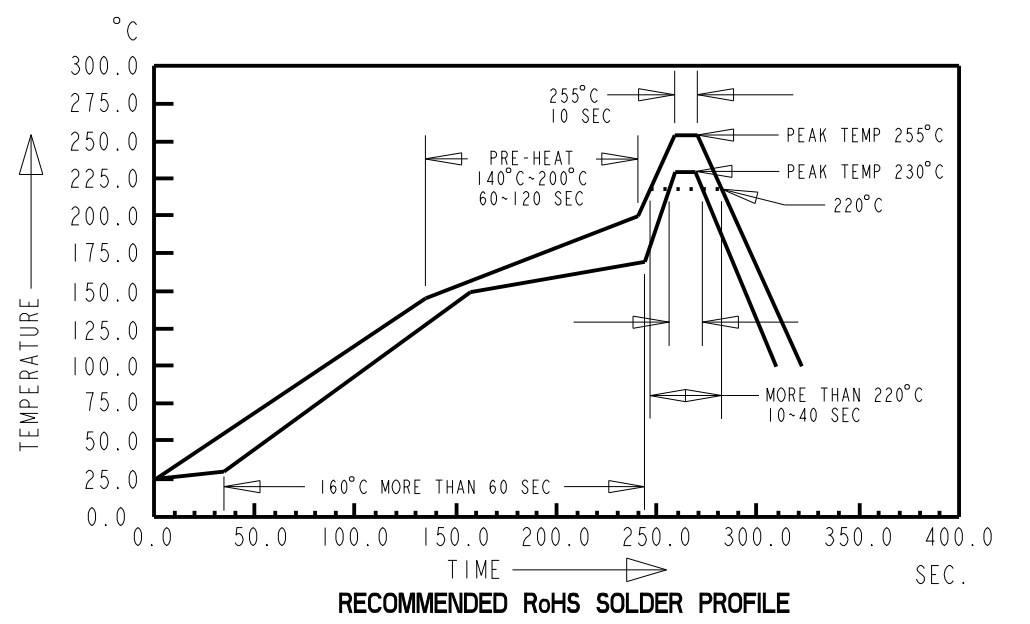
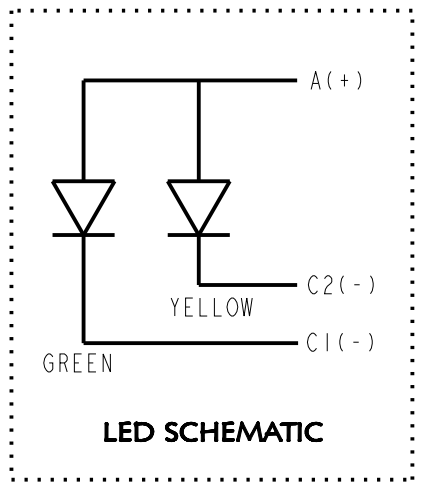


REV	ECN NO	REVISIONS	DRN	CKD	APP	DATE
A		NEW RELEASE	AJF	KLJ	NO	8-31-11



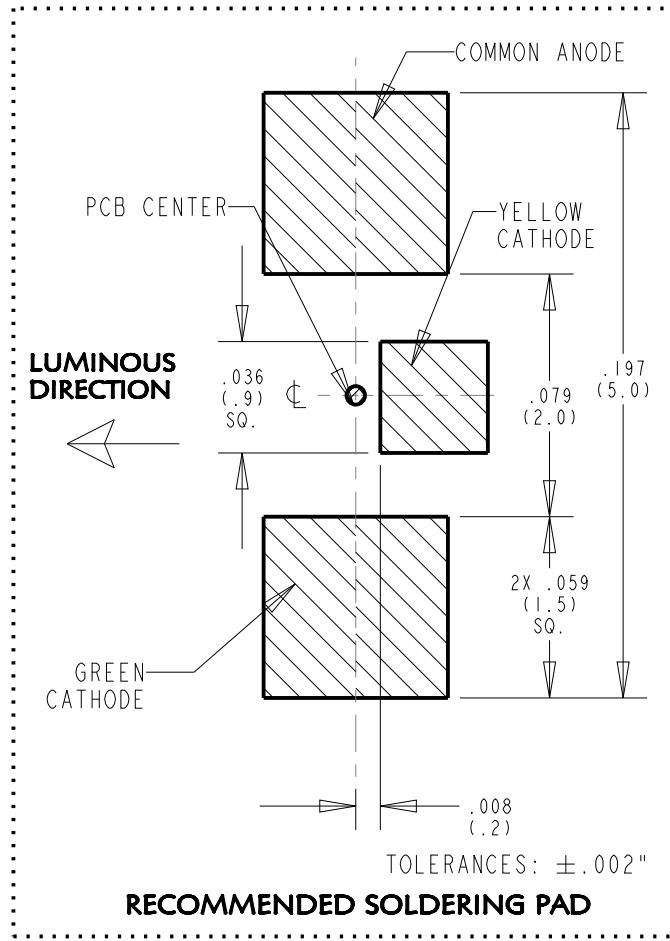
ATTENTION:
OBSERVE PRECAUTIONS FOR
HANDLING ELECTROSTATIC
SENSITIVE DEVICES



**TAPING SPECIFICATION
(NO SCALE)**

OPERATING CHARACTERISTICS AT 25° C AMBIENT												
LED COLOR	PEAK WAVELENGTH (nm)	DOMINANT WAVELENGTH (nm)			LUMINOUS INTENSITY (mcd) @ I _F =20mA			FORWARD VOLTAGE (V) @ I _F =20mA			REVERSE CURRENT (μA)	VIEWING ANGLE (DEGREES)
		MIN	TYP	MAX	MIN	TYP	MAX	MIN	TYP	MAX		
YELLOW	591	—	589	—	71	150	280	—	2.0	2.4	10	130
GREEN	574	—	571	—	18	50	112	—	2.0	2.4	10	130

ABSOLUTE MAXIMUM RATINGS AT 25° C AMBIENT		VALUE	UNITS
POWER DISSIPATION		75	mW
PEAK FORWARD CURRENT (1/10 DUTY CYCLE, 0.1ms PULSE WIDTH)		80	mA
CONTINUOUS FORWARD CURRENT		30	mA
LINEAR DERATING FROM 25° C		0.42	mA/°C
REVERSE VOLTAGE		5	V
REFLOW SOLDERING TEMPERATURE FOR 10 SEC.		260	°C
OPERATING TEMPERATURE		-40 TO +85	°C
STORAGE TEMPERATURE		-40 TO +105	°C



NOTES:

- DIALIGHT PART NUMBERS: 597-2724-602F & 597-2724-607F.
- ...-602F SUFFIX FOR PARTS ON A 20 PCS SAMPLE STRIP.
...-607F SUFFIX FOR PARTS ON A 7" DIA. REEL, 3,000 PCS/REEL, ACCORDING TO EIA STD 481-1-A SPECIFICATION (CATHODE TOWARDS SPROCKET).
- LED COLORS: AlInGaP YELLOW & GREEN.
- LED HAS A MOISTURE SENSITIVITY LEVEL OF 3.
- TAPE AND REEL PRODUCTS MAY REQUIRE RE-TAPING AFTER 12 MONTHS.
- PIN NUMBERS ARE FOR REFERENCE ONLY, DESIGNATION NON-EXISTENT ON PART.
- THIS ASSEMBLY CONTAINS ELECTROSTATIC DISCHARGE SENSITIVE DEVICES (ESDS). MAINTAIN ALL PRECAUTIONARY MEASURES DURING ASSEMBLY, HANDLING AND STORAGE IN ACCORDANCE WITH IPC-A-610.

RoHS COMPLIANT 597-2724-60XF

Part Numbers with the "F" suffix ending are RoHS Compliant. Reel and bag packaging are marked with "RoHS Compliant" label or equivalent markings. These parts can be used with RoHS reflow profile. Parts can be wave soldered, dip soldered or hand soldered using typical lead-free soldering process with max 260°C temp. for 5 sec.

THIS DRAWING AND THE CONTENTS HEREIN ARE CONFIDENTIAL AND THE SOLE PROPERTY OF DIALIGHT. REPRODUCTION OF THIS DRAWING OR CONSTRUCTION OF ANY PARTS WITHIN THIS DRAWING ARE FORBIDDEN WITHOUT THE WRITTEN CONSENT OF DIALIGHT.		
SCALE: 16.000	DRAWING NUMBER	REV
ALL DIM'S IN: INCHES (MM)	C-17940	A
TOLERANCES: UNLESS OTHERWISE SPECIFIED	TITLE	
FRACTIONS: ±1/64	YELLOW/GREEN BI-COLOR	
DECIMALS (.XX): ±.01	1208 PACKAGE RT ANGLE SMT LED (REV POL)	
DECIMALS (.XXX): ±.004	MATERIAL	
ANGLES: ±1°	Dialight	
FINISH:	1501 ROUTE 34 SOUTH FARMINGDALE, NJ 07727	
FSCM 83330	SHEET 1 OF 1	FAMILY TABLE: